

S3010E

SELF-PROPELLED MINI SCISSOR LIFT



- Compact & lightweight electric mini scissor lift
- Can be driven at full height
- Zero inside turning radius
- Drives through a standard doorway
- Ideal for low level interior installation and maintenance applications

 **snorkel**[™]
www.snorkellifts.com

SELF-PROPELLED MINI SCISSOR LIFT

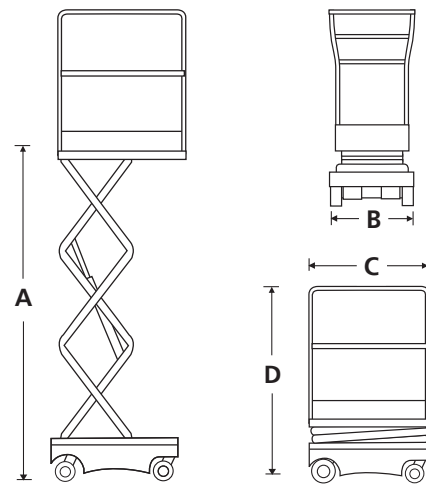
S3010E

| DIMENSIONS | S3010E |
|--------------------------|---------------|
| Max. working height | 5.0m |
| Max. platform height (A) | 3.0m |
| Platform size | 1.09m x 0.51m |
| Overall width (B) | 0.77m |
| Overall length (C) | 1.26m |
| Stowed height (D) | 1.8m |
| Ground clearance | 58mm |

| PERFORMANCE | |
|-----------------------------|-------------------------------|
| Platform capacity (SWL) | 227kg |
| Max. drive height | 3.0m |
| Max. wind speed | 0m/s |
| Max. drive speed (stowed) | 3.5km/h |
| Max. drive speed (elevated) | 0.64km/h |
| Raise/lower time | 18/25 sec |
| Gradeability | 25% |
| Max. operating slope | 2° |
| Inside turning radius | 0m |
| Outside turning radius | 1.4m |
| Tyres | 230mm dia. non-marking rubber |
| Parking brake | 2-wheel automatic |
| Controls | 2-axis proportional controls |
| Drive system | DC direct drive |

| POWER | |
|-----------------|-------------------------------|
| Power source | 2 x 12V 105Ah |
| Battery charger | 100-240V 50/60Hz Auto, 30 amp |

| WEIGHT | |
|--------|-------|
| Weight | 495kg |



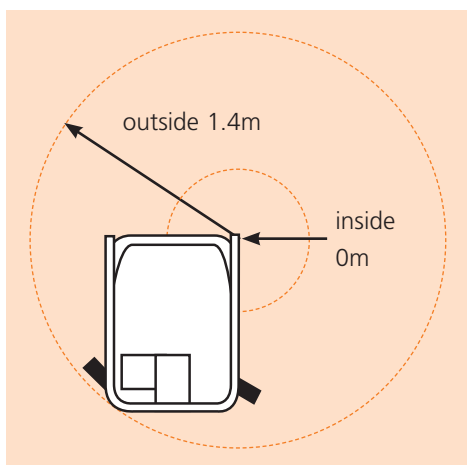
STANDARD FEATURES

- Highly manoeuvrable skid steer
- Zero inside turning radius
- Saloon-door style entry gates
- 1 person + equipment capacity indoor
- Non-marking tyres
- Proportional point & go joystick controls
- Integrated battery charger
- Battery condition indicator
- Crane points & through-the-chassis fork pockets
- Selectable motion alarm
- Tilt & descent alarm
- Hour meter
- Horn
- 2 year parts & labour, 5 year structural warranty
- CE approved

OPTIONS

- Special paint colours
- Environmental hydraulic oil
- Snorkel OnSite™ telematics

TURNING RADIUS



snorkel www.snorkellifts.com

Vigo Centre, Birtley Road,
Washington, Tyne & Wear,
NE38 9DA, U.K.

t: +44 (0) 845 1550 057
e: sales.emea@snorkellifts.com